



72 x 72mm

Features :

Humidity

- ▶ 4 digit LED display (Green)
- ▶ RH Sensor input
- ▶ Sensor enclosed with unit
- ▶ ON-OFF control
- ▶ 10A SPDT Relay output
- ▶ 0% - 100% Humidity control range

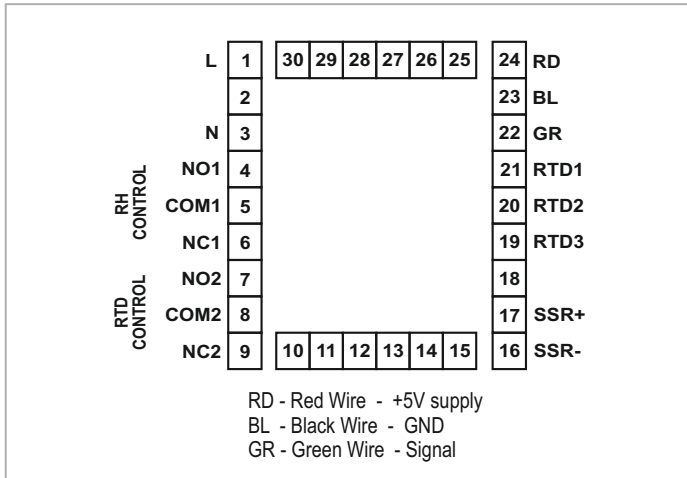
Temperature

- ▶ 4 digit LED display (White)
- ▶ RTD Input (PT100)
- ▶ ON-OFF / PID control
- ▶ Auto tune / Self tune PID
- ▶ 10A SPDT / 12V SSR output

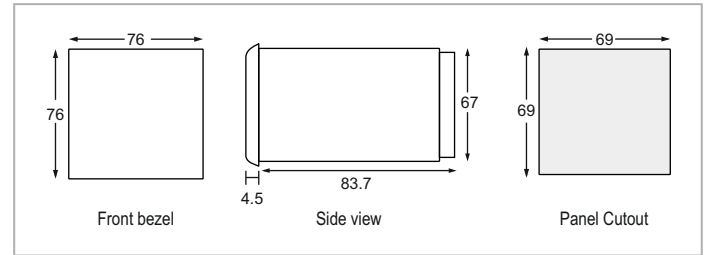
Technical specifications

Display specifications	
Display	4+4 Digits
Height of digit	White digit : 16.7mm, Green digit : 9mm, 7 segment LED display
LED indication	OUT 1 : RH control ON ; OUT 2 : RTD control ON ; AT : Auto tune
Input specifications	
Input signal	RH (HS-A-100), (RTD PT100)
Sampling time	250ms
Input filter (FTC)	0.2 to 10.0 sec
Resolution	0.1 / 1 for RH / RTD inputs
Temperature unit	°C / °F selectable
Humidity unit	%Rh
Output specifications	
RH control output	Relay contact (SPDT) : 10A @ 250V AC / 30V DC, resistive
RTD control output (Relay or SSR user selectable for RTD control)	Relay contact (SPDT) : 10A @ 250V AC / 30V DC, resistive SSR drive output (Voltage pulse) 12V DC, 50mA
Functional specifications	
Control action	PID control with auto tuning , ON - OFF control, (For RH: ON-OFF control only)
Proportional band (P)	1.0 to 400.0°C
Integral time (I)	0 to 9999 sec
Derivative time (D)	0 to 9999 sec
Cycle time	0.1 to 99.9 sec
Hysteresis width	0.1 to 99.9°
Auxiliary supply specifications	
Supply voltage	90 to 270V AC / DC @ 50 / 60Hz
Power consumption	5 VA max @ 230V AC
Environment specifications	
Temperature	Operating : 0°C to 50°C; Storage : -20°C to 75°C
Humidity (non - condensing)	95% RH
Mechanical specifications	
Mounting	Panel
Weight	200 gms
Sensor Information	
Cable length	1 meter
Dimensions (mm)	52 x 28.8 x 18
Input range	5V DC
Weight	33 gms

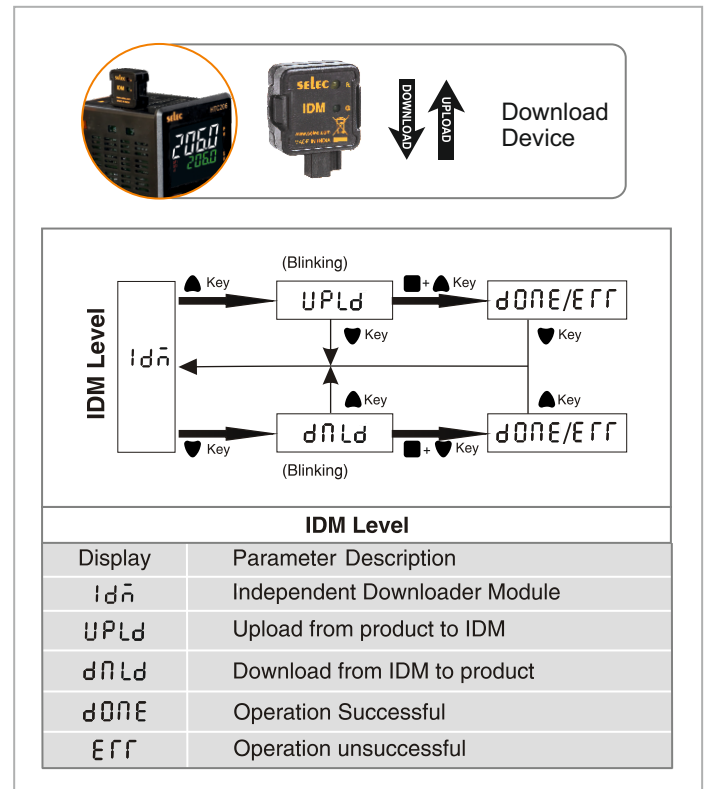
Terminal connections



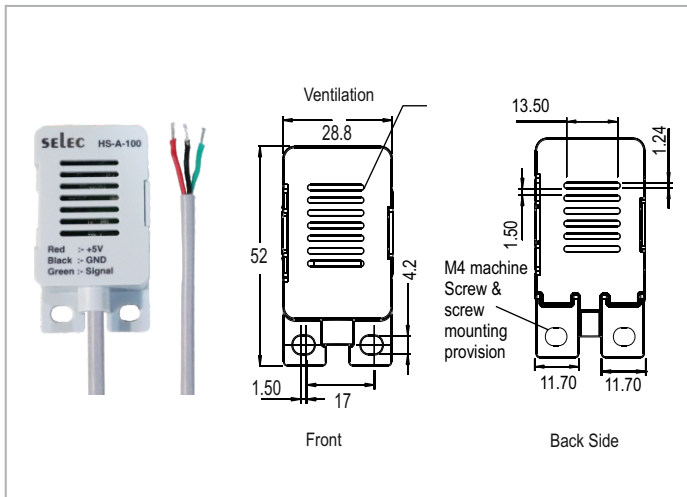
Dimensions (All are in mm)



Independent Downloader module (IDM)

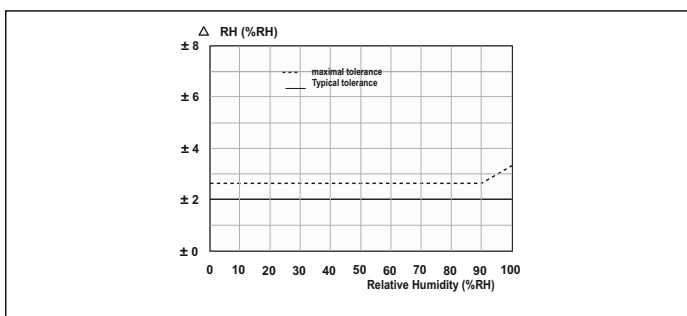


Sensor dimension (Top & Side)

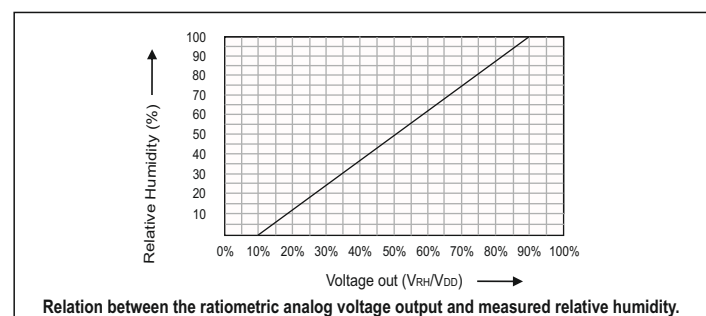


NOTE : Length of the cable can be increased by using compensation cable up to 3 meter. After that accuracy may vary by 1% / Meter.

Humidity Sensor Performance



Tolerance of RH at 25°C



Ordering information

Product Code	Input	Control Output		Supply Voltage	Certification
		Output 1	Output 2		
HTC206	RH+RTD	RELAY (10A)	RELAY (10A)	90 to 270V AC / DC	---